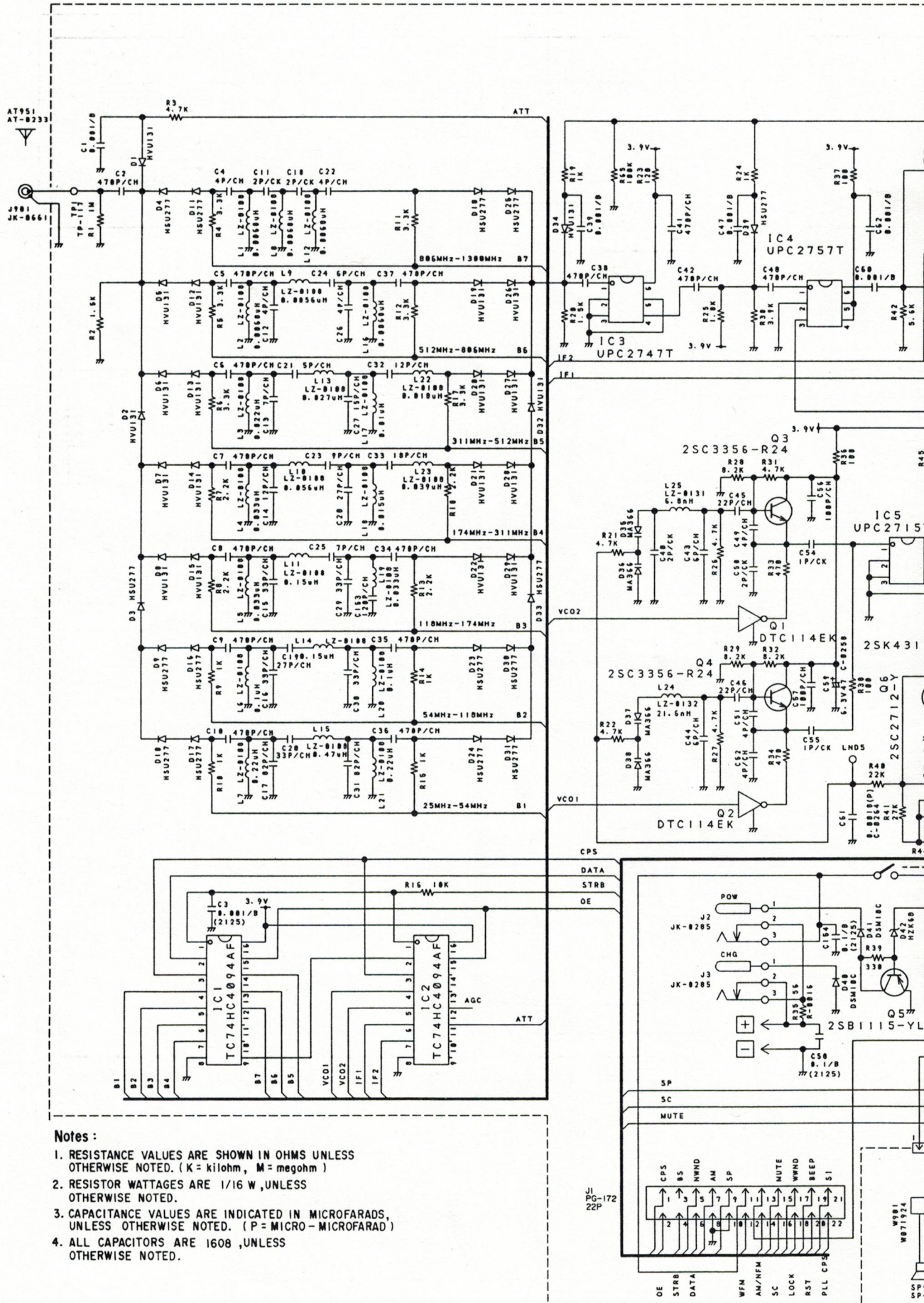
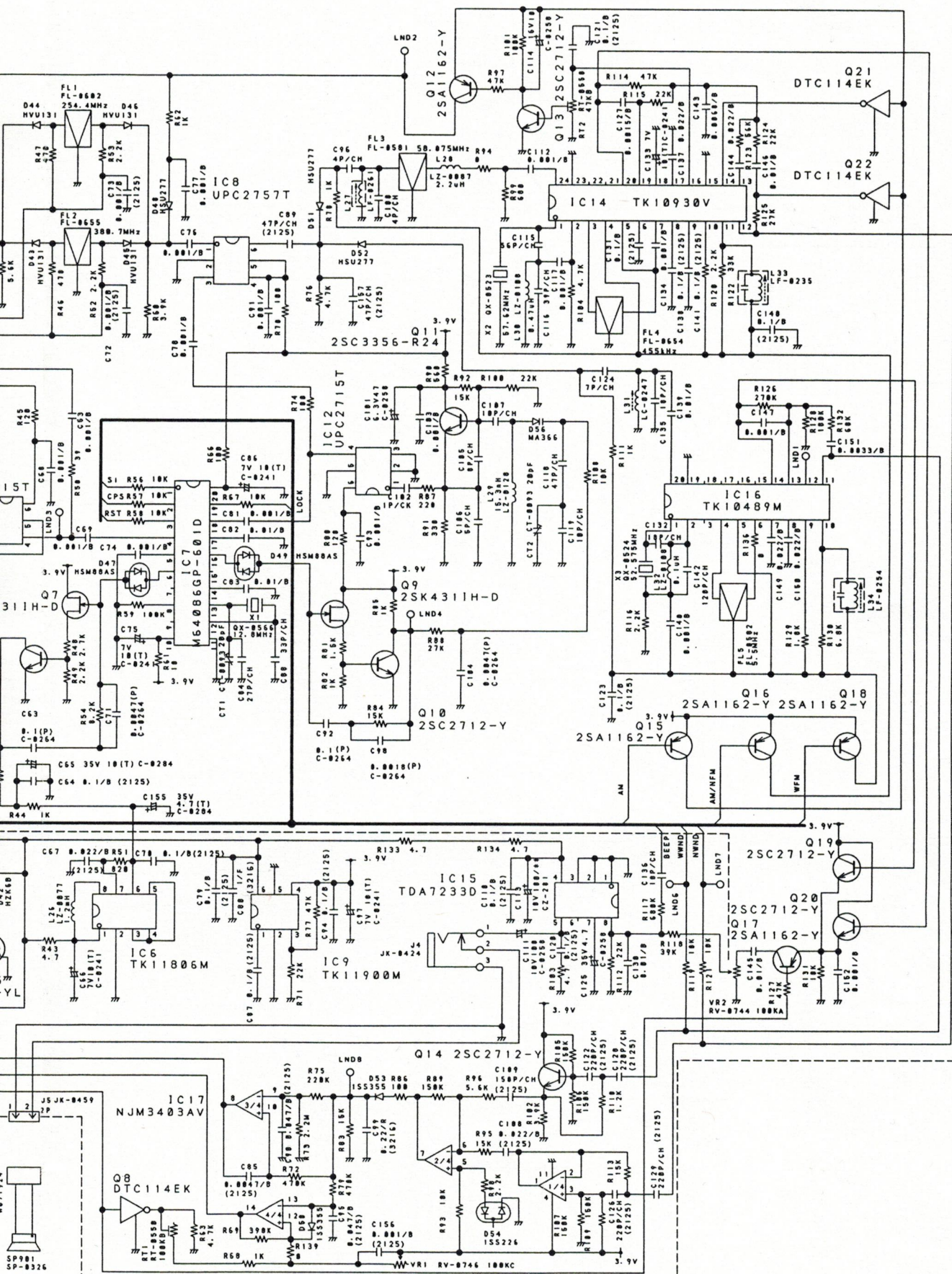


RF PCB SECTION

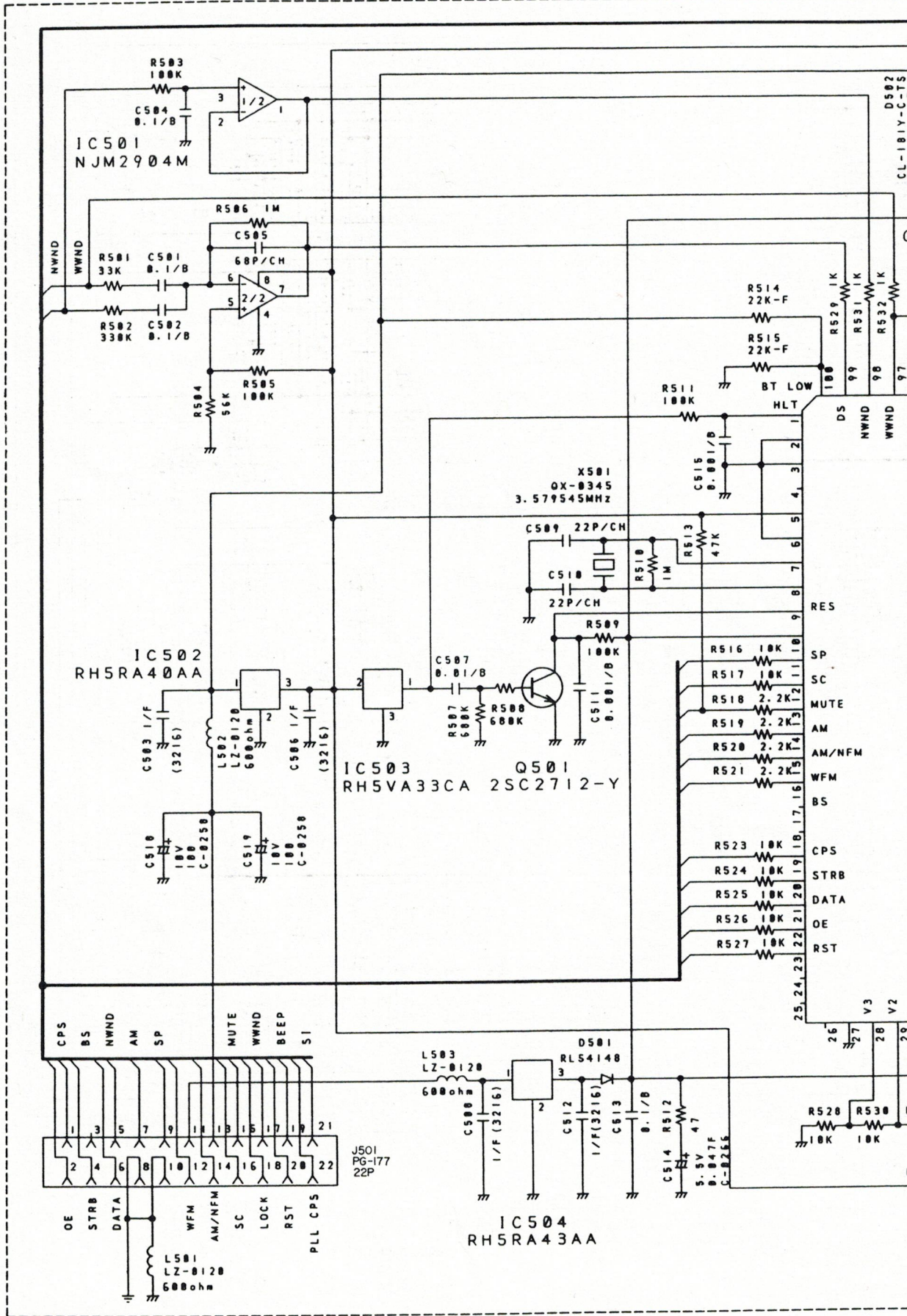


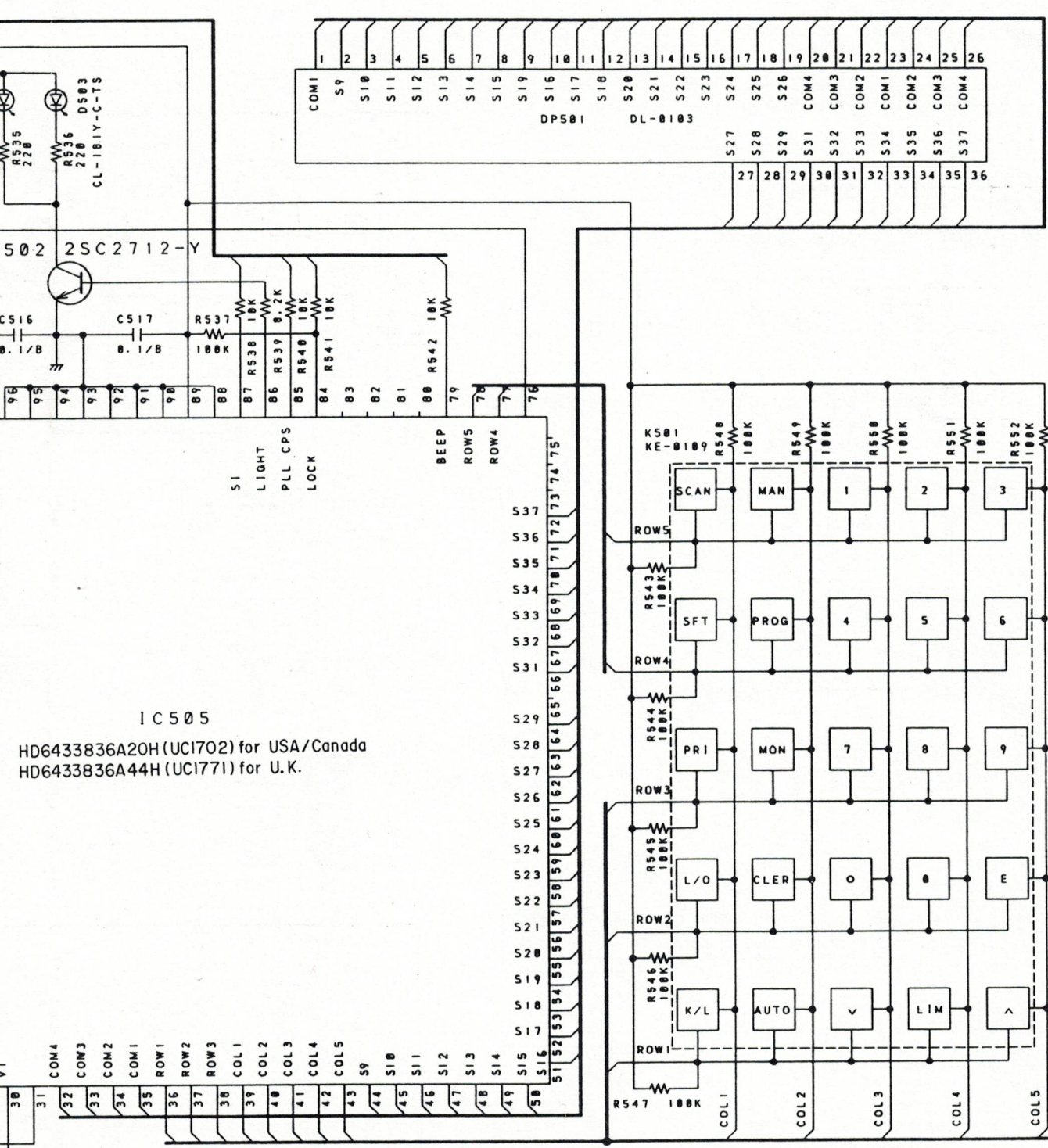
Notes :

1. RESISTANCE VALUES ARE SHOWN IN OHMS UNLESS OTHERWISE NOTED. (K = kilohm, M = megohm)
2. RESISTOR WATTAGES ARE 1/16 W, UNLESS OTHERWISE NOTED.
3. CAPACITANCE VALUES ARE INDICATED IN MICROFARADS, UNLESS OTHERWISE NOTED. (P = MICRO-MICROFARAD)
4. ALL CAPACITORS ARE 1608, UNLESS OTHERWISE NOTED.



LOGIC PCB SECTION





Notes:

1. RESISTANCE VALUES ARE SHOWN IN OHMS UNLESS OTHERWISE NOTED. (K = kilohm, M = megohm)
2. RESISTOR WATTAGES ARE 1/10 W, UNLESS OTHERWISE NOTED.
3. CAPACITANCE VALUES ARE INDICATED IN MICROFARADS, UNLESS OTHERWISE NOTED. (P = MICRO-MICROFARAD)
4. ALL CAPACITORS ARE 2125, UNLESS OTHERWISE NOTED.